

# Creamsource Micro



The Creamsource Micro is less than half the size of the Creamsource Mini+ weighing in at approximately 2.5kg. It features a rugged and waterproof design, with an IP65 rating which means it can be used in all weather. Light output is the same excellent quality as the rest of the Creamsource range, with colour temperature adjustable from 2700 to 6500K and a CRI/TLCI of greater than 90. Drawing only 80W, it rivals the light output and punch typical of some 200W HMI Luminaires. Unlike most bi-colour fixtures, the Micro maintains constant power output across the whole CCT range, so users always get the unit's full potential, and there is no reason to have to choose between a bi-colour or daylight system.

A key innovation of the Micro is its wide 10-32V operating voltage, allowing users to power the fixture from a single 90WH battery, or directly from a car. There are three main different rigging options: Quick release Yoke, Kino Flo Style Twist-on Mount, or single 3/8th Thread.

#### The Micro Basic Kit is supplied with the following:

- > Micro Fixture
- > Power Supply
- > 5/8" Baby Socket Mount

\*Yoke not included in Basic kit

## Product Specifications

CRI	Typical 95, minimum 90
TLCI	Typical 95, minimum 90
Beam Angle	13° (Half Peak Angle)
Mounting	3/8" Threaded Insert. Kino Flo Twist On Style Mount Plate
Yoke	Removable (Quick Release System).
Filter Rails	2 Filter Rails for Secondary Lenses and Gels
User interface	High Precision Digital Rotary Encoder, 4 Button Keypad, Graphic LCD Display
Control	On-Board Interface, DMX-512 with Optional Adapter Cable, Optional Wired Remote Control
Dimming	0-100% with High Resolution, Super-Smooth Low End Mode
High Speed Capability	Over 1000fps Flicker Free in High Speed Mode
Synchronization	Sync Input for Triggering and Syncing to Camera Shutter
Max Ambient Temperature	40°C
Cooling	Passive - No Fans
Estimated LED Lifespan	50,000hrs
Input (Fixture)	10-32V DC, Max 8A (80W)
Input (Power Supply)	100-240V AC, 50-60Hz, Max 1.3A
Protection Class	IP65
Protection Class (Power Supply)	IP20
Weight	2.5kg / 5.5lb (without yoke)
Dimensions Fixture Only	220 x 207 x 105mm / 8.7" x 8.1" x 4.1"
Dimensions with yoke	283 x 331 x 105mm / 11.1" x 13.0" x 4.1"
Warranty	3 Years on Fixtures, 12 Months on Accessories

YOUR TRULY VERSATILE LIGHTING INSTRUMENT

CSUMICRO/APR17/V0.01



creamsource

# Creamsource Micro

Bender

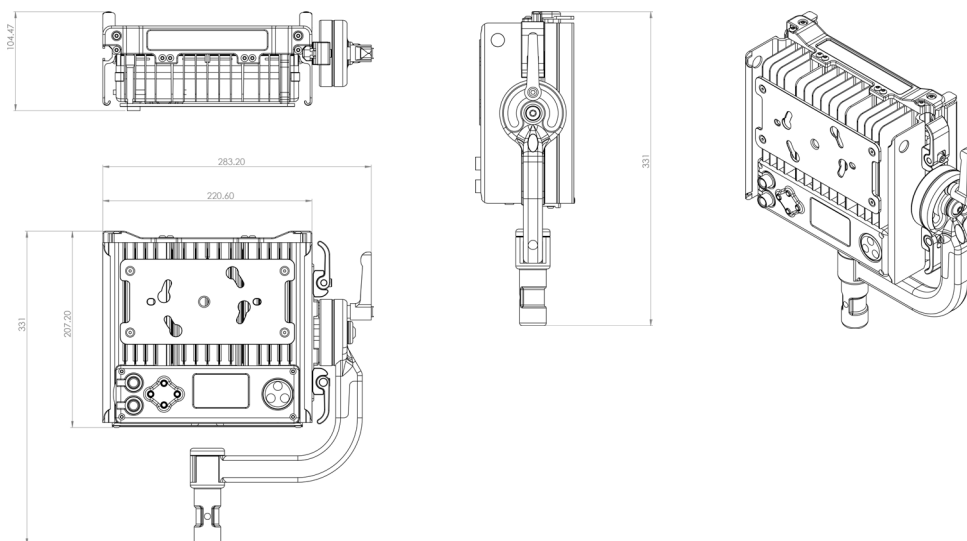


**Color Temperature:** between 2700K - 6500K

**Power:** 80W

## PHOTOMETRIC DATA

	1m / 3.3ft	2m / 6.6ft	3m / 9.8ft	4m / 13.1ft
3200K	51,800 lx / 4,820 fc	16,700 lx / 1,560 fc	7,650 lx / 720 fc	4,390 lx / 410 fc
5600K	55,100lx / 5,120 fc	18,200 lx / 1,700 fc	8,360 lx / 780 fc	4,720 lx / 440 fc



Kits

KIT	PART NO	INCLUDES
BASIC KIT	K-CSU-2-B-BAS	Micro Fixture, Power Supply, 5/8" Baby Socket Mount. Yoke not included
ESSENTIALS KIT	K-CSU-2-B-ESS	Micro Fixture, Yoke, Power Supply, Medium Angle Lens, 3M Extension Cable

## Accessories

CSU-BAG	Softbag padded case with rigid internal shell
CSU-BARNDOOR	Barn Doors
CSU-FRAME	Gel-Frame (Empty)
CSU-LENS-M	Medium Angle Drop-In Lens, 30°
CSU-LENS-W	Wide Angle Drop-In Lens, 60°
CSU-MOUNT-V	Single V-Lock battery mounting plate
CSU-MOUNT-AB	Single Anton Bauer battery mounting plate
CSU-MOUNT-PSU	Mounting plate for power supply
CSU-SNAPBAG-L	DopChoice Snap-Bag softbox
CSU-SNAP-GRID-40-L	DopChoice Snap-Grid 40° (to fit Snap-Bag)
CSU-ACC-CONV	Accessories converter cable for non-waterproof accessories
CSU-DMX-Y	DMX adapter Y cable
CSU-PSU-90	Power supply (IP20 rated)
CSU-BABY-SOCK	Baby socket receiver, 5/8"
CS-REM	Creamtwist wired remote controller
CS-REM-EXT-10M	Creamtwist remote extension lead 10M
CS-SYNC	Flashbandit camera sync adapter



cream**source**

**Outsight Pty Ltd**

Unit 6, 888 Bourke St  
Zetland, NSW 2017, AUSTRALIA

TEL (SYD): +61 2 9699 8688 (Sales Hotline)

TEL (USA): +1 818 748 8401 (Sales Hotline)

sales@outsight.com.au | www.outsight.com.au