

SUPER LED F10HP



DATASHEET

DeSisti

SUPER LED F10HP

LED Fresnel Spotlight 330W -
CRI>95

OVERVIEW

The Super LED F10HP is a high efficiency Fresnel lens spotlight using the innovative High Power 330W COB (Chip on Board) LED ARRAY, in combination with the DE SISTI Internationally Patented optical system for LED FRESNEL and with an enhanced CRI (Color Rendering Index) higher than 95 for appropriate chromacity performances.

The Lighting Fixture is DMX Controlled from 0 to 100% with a super smooth Dimming and a negligible variation of Colour Temperature while controlling the Light intensity.

The F10HP is available with either Tungsten (3.200°K) or Daylight (5.600°K) Balanced CCT (Correlated Color Temperature), in both cases with a CRI higher than 95 and both in Manual or Pole operated versions.

The lighting Performances of the Tungsten Balanced CCT from medium to full flood are similar to those of a 2500W tungsten Fresnels, while the Daylight Balanced CCT is similar to a 800W HMI. The fixture combines the classical SPOT/FLOOD beam control on an equivalent FOCUS RANGE to a conventional lamp fresnel, with an excellent barn door cutting.

It utilizes Standard accessories from the DE SISTI range of equivalent Fresnel Lens size, such as Barndoor, Color Frame, Cones, Scrim.

MODEL	DESCRIPTION
F10THP.MO	Super LED F10HP T - Tungsten CCT, Manual Operated
F10THP.PO	Super LED F10HP T - Tungsten CCT, Pole Operated
F10DHP.MO	Super LED F10HP D - Daylight CCT, Manual Operated
F10DHP.PO	Super LED F10HP D - Daylight CCT, Pole Operated



WHAT'S INSIDE

FIXTURE HEAD

250 mm. (10") diameter Fresnel lens
POWERCON IN & OUT PANEL CONNECTORS.
XLR 5 Pin DMX IN & OUT PANEL CONNECTORS.
330W high power CRI>96
Built In Universal Power Supply 90-250V
50/60Hz DMX controlled.

YOKES

Manual Operated Versions

Mod. LT320.110.40 M.O. yoke with 28,57 mm (B.S. 1 1/8") with top end for "C" clamp

Pole Operated Versions

Mod. 321.110.40 P.O. yoke with 28,57 mm spigot (B.S. 1 1/8"), with top end for "C" clamp

ACCESSORIES

Mod. 326.100 four leaf rotating barndoor
Mod. 327.100 color frame

CABLES

Mod. 5403.135 3 mt. (9.8 ft) detachable Blue POWERCON power cable with bare ends.

DMX cable is not included, to be ordered separately

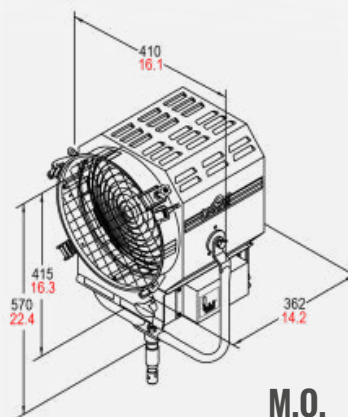
DeSisti

SUPER LED F10HP

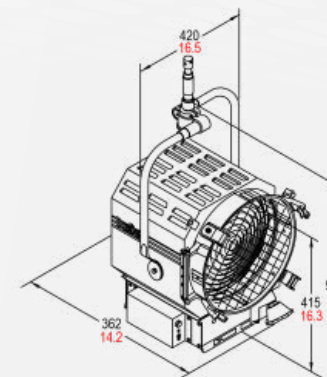
FEATURES

Power to LED	330W - DC current to the LED - flicker free
Rated Voltage & PFC	90-250V 50-60Hz PFC 0,96
Power consumption	365W @ 230V 365W @120V
Power Connection	powerCON IN & OUT
DMX Data link USITT DMX512-A	5-pin XLR for DMX in & out. Use shielded data cables. Do not overload the daisy chain. Up to a maximum of 32 devices can be used on a single DMX chain.
DMX Channels	1 @ 8bit 2 @ 16bit
LED ARRAY Lifetime	60.000 hours with 70% Lumen Maintenance. The LED ARRAYS are tested and certified up to LM80
CCT	T: 3.200°K D: 5.600°K
CRI / TLCI	T: 97 / 96 D: 96 / 97
Protection Type	IP20
Max. Housing Surface Temperature	70° C
Weight of Fixture	M.O. 13,5 Kg (29.7 lb) P.O. 14,8 Kg (32.5 lb)
Weight of Barndoor	4 leaf 1,4 Kg (3.09 lb) 8 leaf 1,65 Kg (3.64 lb)
Weight of color frame	0,28 Kg (0.62 lb)
Barndoor ring diameter	Seat: 314mm / 12 1/3" - Accessory: 313mm / 12 1/3"
Scrims & color frame diameter	Seat 306mm / 12" - Accessory: 305mm / 12"
Lens diameter	250mm / 10"

DIMENSION



M.O.



P.O.

FEATURES

250 mm. (10") diameter high quality, shock resistant Borosilicate glass Fresnel lens on spring supports.

Rugged and lightweight Carbon Steel Housing with low glare black epoxy powder coating and reinforces internal double walls.

High efficiency Self Stabilizing Active Cooling: automatic, thermal stabilization of the LED operating temperature is managed by an internal thermal sensor and CPU, variable speed fan and heat sink to maintain the LED Array's constant temperature at a maximum of 65°C. The hydro dynamic bearing fan operates silently with a very low RPM.

Special Patented Optics for LED Technology.

Helix Screw driven focus mechanism which guides Teflon bushings supported LED ENGINE along 2 rods. This ensures smooth operation during focusing in any tilting position of the fixture. The Teflon bushings also provide a wiping action, which cleans the steel guide rails during focus.

The unit is equipped with a hinged lens door and wire guard. One of the 4 accessory brackets has a spring loaded locking knob to safely secure external accessories.

Accessories have been designed for one hand installation.

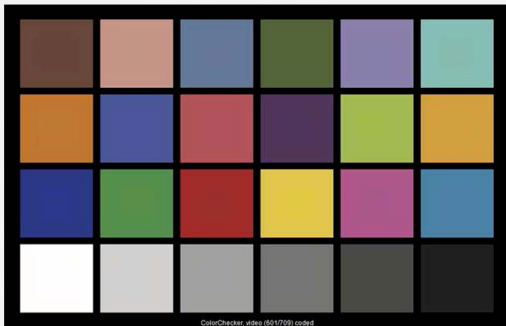
Available with either positive lock manual yokes for comfort and ease of handling, or pole operated yokes which can be used via the lighting pole for Panning and Tilting the lights as well as manually, since the mechanical activators are equipped with clutches.

SUPER LED F10HP

TLCI

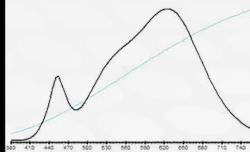
TUNGSTEN CCT

De Sisti SUPER LED F10HP - 330W - Tungsten : CCT = P3065 (+0.4)
TLCI-2012: 97 (P3065)



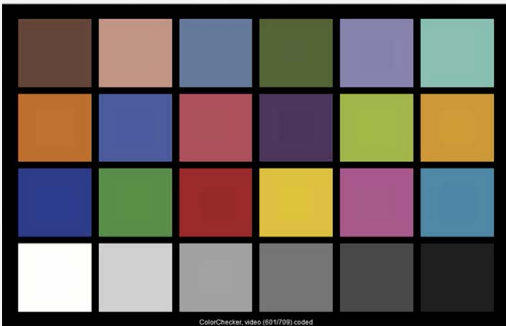
Television Lighting Consistency Index-2012

Sector	Lightness	Chroma	Hue
R	0	0	0
RY	0	0	--
Y	0	-	-
YIG	0	-	0
G	0	0	+
G/C	0	0	+
C	0	0	+
C/B	+	0	-
B	0	-	-
B/M	0	0	++
M	+	0	++
M/R	+	0	++



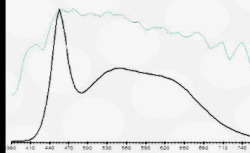
DAYLIGHT CCT

De Sisti SUPER LED F10HP - 330W - Daylight : CCT = D5850 (+1.2)
TLCI-2012: 95 (D5850)



Television Lighting Consistency Index-2012

Sector	Lightness	Chroma	Hue
R	0	0	0
RY	0	0	--
Y	0	-	-
YIG	0	0	0
G	0	0	0
G/C	0	0	0
C	+	0	-
C/B	+	0	--
B	0	-	-
B/M	0	0	+
M	0	0	+
M/R	+	0	0



PHOTOMETRICS

// SUPER LED F 10 HP

Central Light intensity (Candle Power)

Illumination center values at Distances

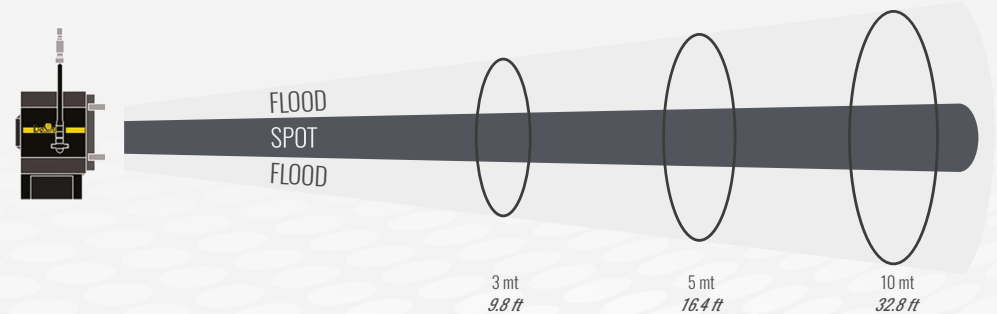
3.200°K TUNGSTEN BALANCED C.C.T. (Correlated Color Temperature) - 330W (CRI 97) - TLCI: 97

	Central Light intensity (Candle Power)	3m	5m	10m
FLOOD	36.540 cd	4.060 lux <i>377 FC</i>	1.462 lux <i>136 FC</i>	365 lux <i>34 FC</i>
SPOT	145.800 cd	16.200 lux <i>1,505 FC</i>	5.832 lux <i>542 FC</i>	1.458 lux <i>135 FC</i>

5.600°K DAYLIGHT BALANCED C.C.T. (Correlated Color Temperature) - 330W (CRI 95) - TLCI: 95

	Central Light intensity (Candle Power)	3m	5m	10m
FLOOD	43.470 cd	4.830 lux <i>449 FC</i>	1.739 lux <i>162 FC</i>	435 lux <i>40 FC</i>
SPOT	179.100 cd	19.900 lux <i>1,849 FC</i>	7.164 lux <i>666 FC</i>	1.791 lux <i>166 FC</i>

3 mt 9.8 ft 5 mt 16.4 ft 10 mt 32.8 ft



Light beam diameter with Beam Angle (50% of center value)

	Beam Angle	3m	5m	10m
FLOOD	54°	3,06 mt <i>10.0 ft</i>	5,10 mt <i>16.7 ft</i>	10,19 mt <i>33.4 ft</i>
SPOT	13°	0,68 mt <i>2.2 ft</i>	1,14 mt <i>3.7 ft</i>	2,28 mt <i>7.5 ft</i>

Light beam diameter with Field Angle (10% of center value)

	Field Angle	3m	5m	10m
FLOOD	76°	4,69 mt <i>15.4 ft</i>	7,81 mt <i>25.6 ft</i>	15,63 mt <i>51.3 ft</i>
SPOT	25°	1,33 mt <i>4.4 ft</i>	2,22 mt <i>7.3 ft</i>	4,43 mt <i>14.5 ft</i>

LUX AT ANY DISTANCE = Candle Power: [Distance(in m.)]²

FC. AT ANY DISTANCE = Candle Power: [Distance(in ft)]²

SUPER LED F10HP



OPTIONALS & ACCESSORIES

F10XHP.XO.DIN	adder code to order DIN Spigot
325.310	Stainless Steel wire guard
326.100	Four leaf rotating barndoor
326.200	Eight way rotating barndoor
327.100	Color Frame
328.100	Cone with two discs (with front aperture diameter: 70 mm. 50 mm. 30 mm.)
329.100	Set of scrims - Stainless steel
329.101	Full single scrim - Stainless steel
329.102	Full double scrim - Stainless steel
329.103	1/2 single scrim - Stainless steel
329.104	1/2 double scrim - Stainless steel
91.210	Aluminum black painted "C" clamp to hang fixtures overhead and for mounting on pipe with diameters up to 52 mm. (2"), with safety pin (no adapters)
93.102	Extruded black "C" clamp with M 12 threaded stud
93.103	Extruded black "C" clamp with M 10 threaded stud
20.100	Safety cable 800 mm. long with 4 mm. diameter steel rope and safety catch.
LT320.110.40	Steel tube Manual Operated stirrup with 28,57 mm. spigot (B.S. 1 1/8"), with top end for attachment to "C" clamp.
LT320.300.40	Steel tube Manual Operated stirrup with 28,00 mm. spigot (D.I.N 1 1/9")
LT320.220.40	Steel tube Manual Operated stirrup with M 12 Threaded hole
LT321.110.40	Pole operated stirrup with 28,57 mm. spigot (B.S. 1 1/8"), with top end for attachment to "C" clamp.
321.300.40	Pole operated stirrup with 28,00 mm. spigot (D.I.N 1 1/9")