

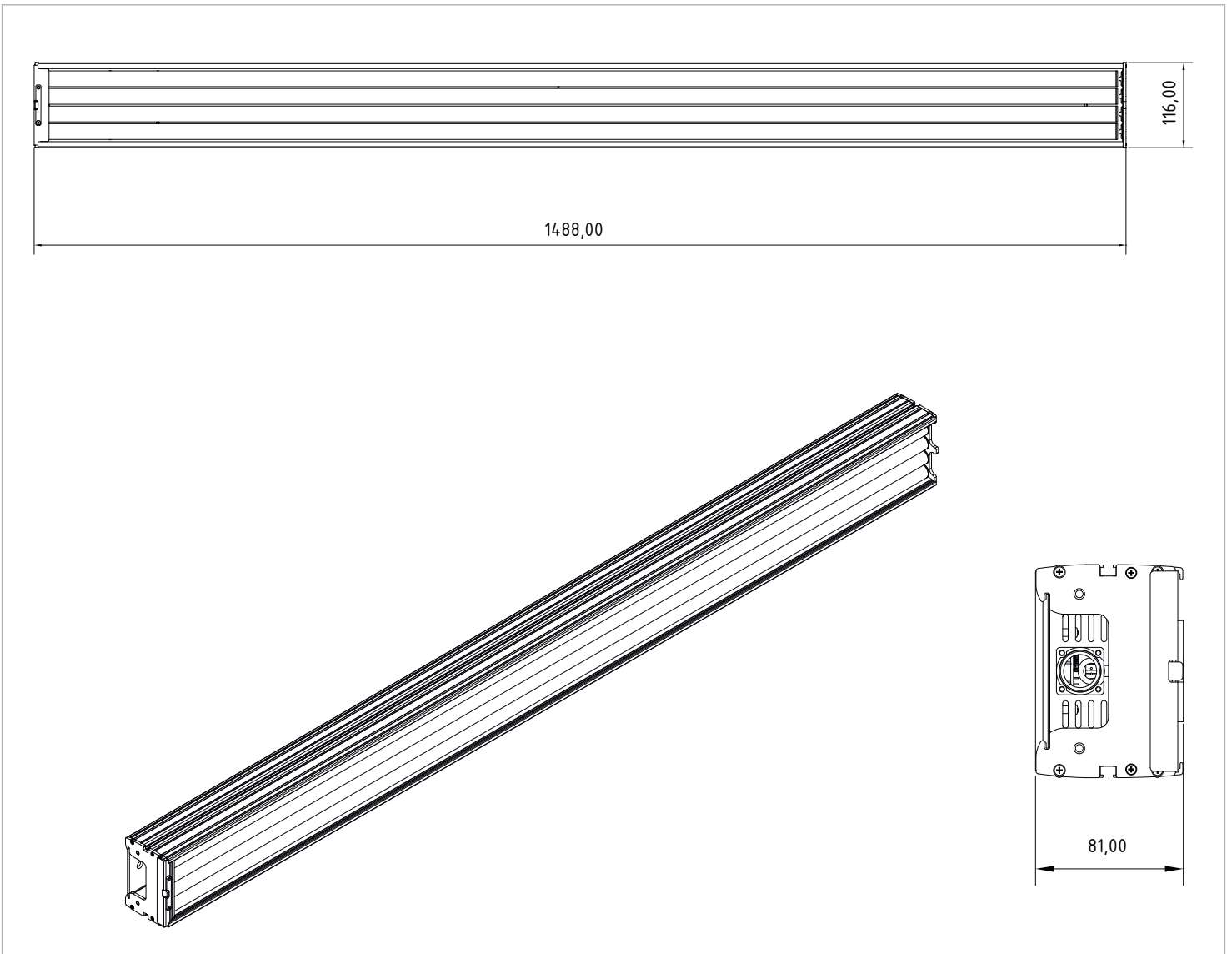
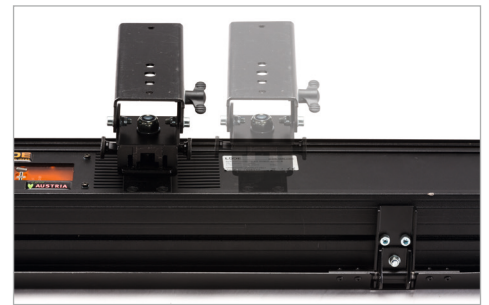
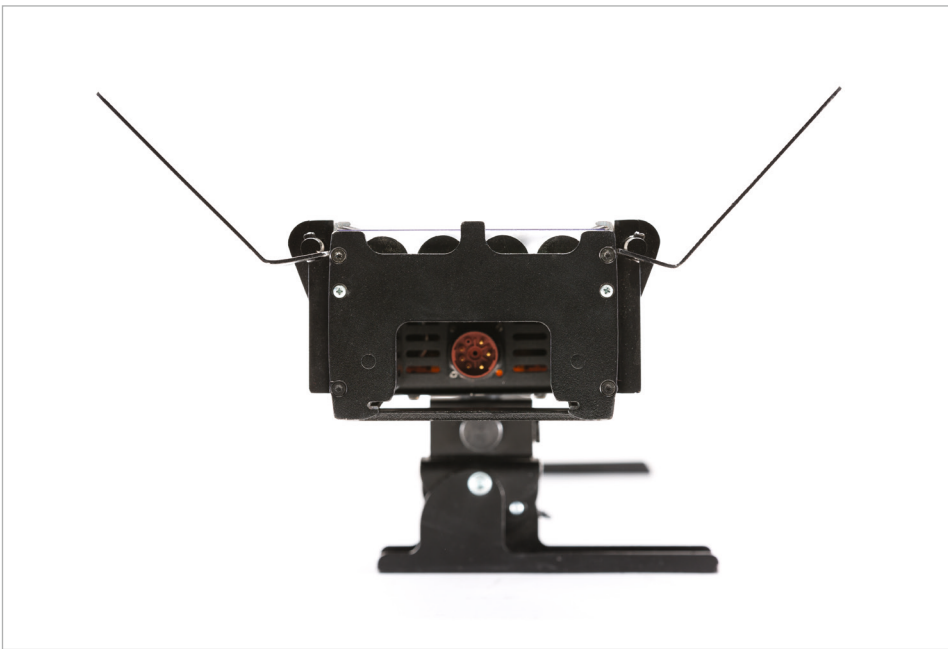
# SpectraConnect5 LED

LED Softlight with very high luminous flux!



## TECHNICAL SPECIFICATION

<b>Voltage input range</b>	100...240 VAC   50/60 Hz
<b>Power consumption</b>	160 W   0,75 A
<b>Light Source – 4 High power LED tubes (changeable)</b>	up to 4000 Lumen each (depending on the LED tube assembly)
<b>Individually controllable LED tubes</b>	✓
<b>8-pin Power/Data multicore connector</b>	✓
<b>Remote + BCD rotary switch for addressing and settings</b>	✓
<b>Suitable for HDTV „flicker-free“</b>	✓
<b>Separate control for intensity &amp; colors</b>	✓
<b>8/16-bit Resolution</b>	✓
<b>High resolution dimmer from 0–100%</b>	✓
<b>20 ms response time</b>	✓
<b>up to 25 Hz strobe frequency</b>	✓
<b>Control channels</b>	1/2/4/5/6/8/9
<b>Convection cooling for silent operation</b>	✓
<b>Aluminium extrusion profile</b>	black – other colors on request
<b>Weight/Dimension</b>	8,6 kg   1488 × 116 × 81 mm (L × W × H)
<b>Protection Class</b>	IP20
<b>Conformity</b>	EN 55015, EN 60669, EN 60929, EN 61000-3-2, EN 61000-3-3 EN 61547, EN 61347-2-3 EN-2



**LDDE**  
LIGHTING IDEAS

Lighting  
Design  
Development  
Electronics

LDDE Vertriebsgesellschaft m. b. H.  
Dreherstrasse 64, 1110 Vienna, Austria  
P: +43 1 7671811 0, F: +43 1 7671811 99  
E: office@ldde.com, W: www.ldde.com