

oconnor

30L, 60L and 60L Mitchell Tripod

C1251-0001 C1251-0011
C1255-0001 C1255-0011
C1255-0002 C1255-0012



ONLINE REGISTRATION:
[HTTP://REGISTRATION.OCONNOR.COM](http://REGISTRATION.OCONNOR.COM)

Operators Guide

C1251-4980/4

**OConnor
30L,60L and
60L Mitchell
Tripods**

Copyright © 2013

All rights reserved throughout the world. No part of this document may be stored in a retrieval system, transmitted, copied or reproduced in any way, including, but not limited to, photocopy, photograph, magnetic or other record without the prior agreement and permission in writing of the Vitec Group plc.

Disclaimer

The information contained in this manual is believed to be correct at the time of printing. Vitec Videocom Inc. reserves the right to make changes to the information or specifications without obligation to notify any person of such revision or changes. Changes will be incorporated in new versions of the publication.

We are making every effort to ensure that our manuals are updated on a regular basis to reflect changes to product specifications and features. Should this manual not contain information on the core functionality of your product, please let us know. You may be able to access the latest revision of this manual from our website.

Vitec Videocom Inc. reserves the right to make changes to product design and functionality without notification.

Trademarks

All product trademarks and registered trademarks are the property of the Vitec Group plc.

Published by:

Vitec Videocom
Supports Technical Publications Department
William Vinten Building
Western Way
Bury St Edmunds
Suffolk IP33 3TB
United Kingdom
E-mail: technical.publications@vitecgroup.com

Preface

Congratulations on the purchase of your new heavy-duty tripod from OConnor!

We want you to get the most from your new tripod, and therefore encourage you to read this operator's guide to familiarize yourself with its many features, some of which may be new to you. It also covers essential health and safety information and a section on maintenance that will ensure your new product is kept in perfect condition.

With regular cleaning we are confident this product will provide many years of reliable performance.

Please register your purchase online at www.ocon.com.

Features and benefits of your new tripod

Designed to meet the demands of the modern cinematographer. Combining the benefits of new-age materials and precision engineering has created a product which is both lightweight and stable.

- These lightweight tripods support a disproportionately high payload capacity of up to 209 lbs (95 kg).
- Two-stage extension legs offer a generous working height range, yet fold down to a compact transport length.
- The smart, quick-release clamping system offers a secure and visible lockdown.
- The preset, four-position mid-level spreader offers easy, trouble-free security.
- The adjustable ground spreader offers a secure base for working on flat surfaces.
- Removable rubber feet provide options for working on a variety of surfaces.

Safety – read this first

Safety and warnings

For your personal safety, read these instructions. Do not operate the product if you do not understand how to use it safely. Save these instructions for future reference.

Warning symbols used in these instructions

Safety warnings and cautions are included in these instructions. These safety instructions must be followed to avoid possible personal injury and avoid possible damage to the product.



WARNING! Where there is a risk of personal injury or injury to others, comments appear supported by the warning triangle symbol. Where there is a risk of damage to the product, associated equipment, process or surroundings, comments appear supported by the word 'Caution'.

Warnings and Cautions



WARNING!

Do not exceed the maximum payload capacity.



WARNING!

Tripod spike feet can be dangerous, take care when handling.



WARNING!

Ensure the spreader and rubber feet are fitted when setting up the tripod on split levels (e.g. on stairs).



WARNING! Finger entrapment.

Avoid trapping fingers when collapsing and extending the tripod legs or adjusting the spreader.



WARNING! Toppling hazard.

Do not leave unattended. Keep out of reach of children.



WARNING! Trip hazard.

Set the tripod footprint to suit the shooting environment.



CAUTION!

Do not attach heavy items to the pan bar. Only attach camera accessories to the pan bar.



CAUTION!

Hold the camera securely when making adjustments to the tripod height or footprint.



CAUTION!

Do not place your foot or heavy weight onto the spreader.



CAUTION!

When in use, always lock the tripod leg clamps to prevent the tripod collapsing.



CAUTION!

Attach a weight to the tie-down hook to secure the tripod in unstable conditions.



CAUTION!

Always remove the camera before transporting.



CAUTION!

Regularly check the effectiveness of the bowl clamp. The head and payload can slip and destabilize the tripod if the clamp is not sufficiently tightened.

Contact information

For further information or advice about our range of heavy-duty tripods, fluid heads, and accessories, please contact OConnor at:

OConnor
2701 N. Ontario St.
Burbank
CA 91504
USA

Tel.: +1 818 847 8666
Fax: +1 818 847 1205

E-mail: sales@ocon.com

Or visit our website www.ocon.com and use the contact form.

Technical specification

OConnor 30L tripod (C1251-0001)

Weight (tripod only)	8.8 lbs (4 kg)
Max. payload capacity	209 lbs (95 kg)
Height range	
Minimum height	22 in. (56 cm)
Maximum height.	61.8 in. (157 cm)
Transport length	29.5 in. (75 cm)
Material.	carbon fibre

Mounting

Top casting	100 mm bowl base
-----------------------	------------------

OConnor 60L tripod/60L Mitchell tripod (C1255-0001/C1255-0002)

Weight (tripod only)	9 lbs (4.1 kg)
Max. payload capacity	209 lbs (95 kg)
Height range	
Minimum height	22.8 in. (58 cm)
Maximum height.	60.6 in. (154 cm)
Transport length	30 in. (76 cm)
Material.	carbon fibre

Mounting

Top casting	150 mm bowl base
Top casting	Mitchell

Mid-Level Spreader (C1252-0001 - Optional)

Weight	1.7 lbs (0.75 kg)
Length	
Min. length	13 in. (330 mm)
Max. length.	19.5 in. (496 mm)
Tripod footprint (incl. mid-level spreader)	
Min. footprint (at min. height, fully retracted)	Ø21.9 in. (Ø555 mm)
Max. footprint (at max. height, fully extended)	Ø95.5 in. (Ø2425 mm)

Ground Spreader (C1258-0001- Optional)

Weight	3.6 lbs (1.64 kg)
Length	
Min. length	13.8 in. (350 mm)
Max. length.	22.8 in. (580 mm)

Contents

	Page
Preface	3
Features and benefits of your new tripod	3
Safety – read this first	4
Safety and warnings	4
Warning symbols used in these instructions	4
Contact information	5
Technical specification	6
Components	8
Introduction	11
Operation	11
Setting up the tripod	11
Attaching the mid-level spreader (optional)	12
Fitting the rubber feet	13
Attaching the ground spreader (optional)	14
Setting up the ground spreader	14
Servicing	15
General	15
Cleaning	15
Routine checks	15
Checking the effectiveness of the leg clamps	15
Adjusting the leg clamps	16

Components

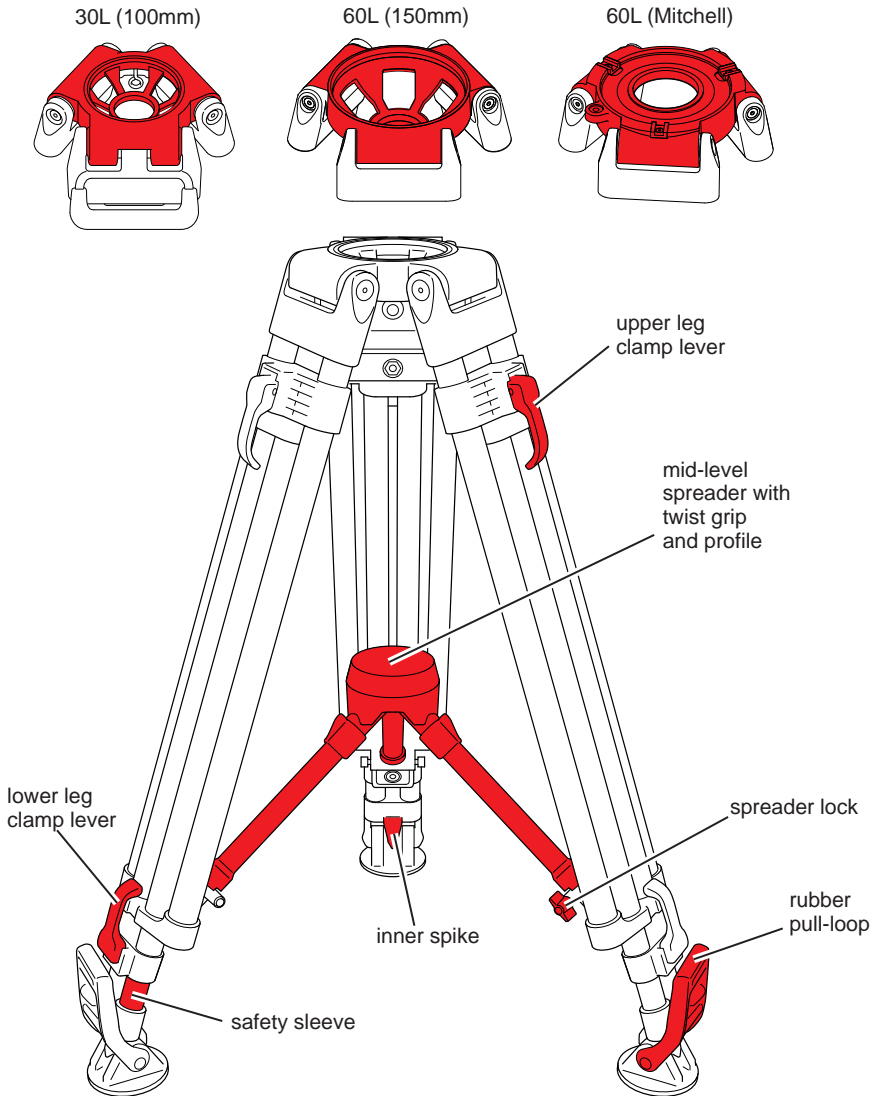


Figure 1 30L/60L/60L Mitchell CF tripod

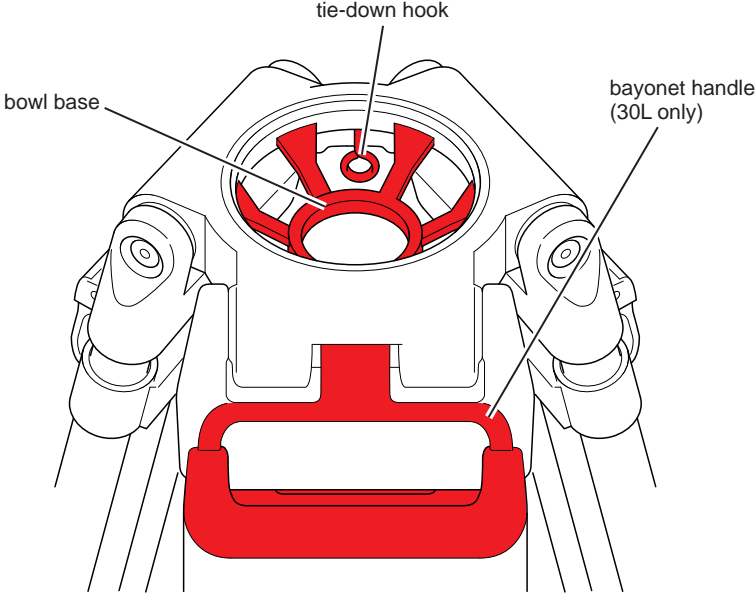


Figure 2 30L/60L CF tripod, top

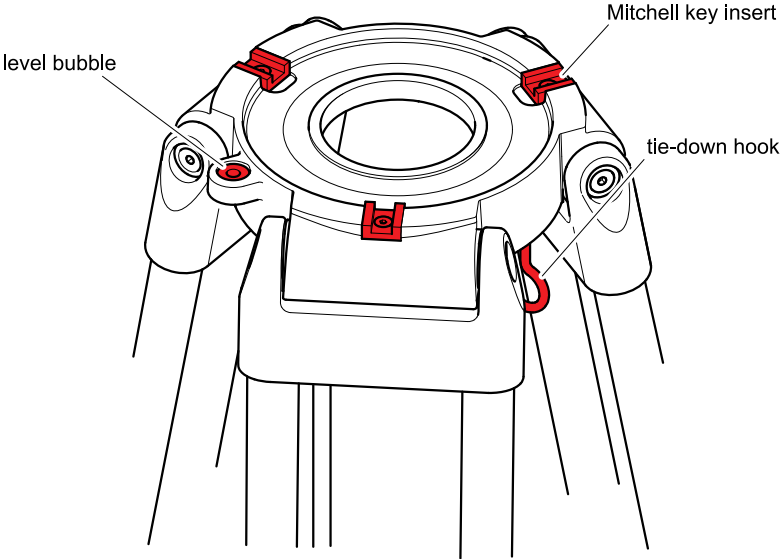


Figure 3 60L Mitchell CF tripod, top

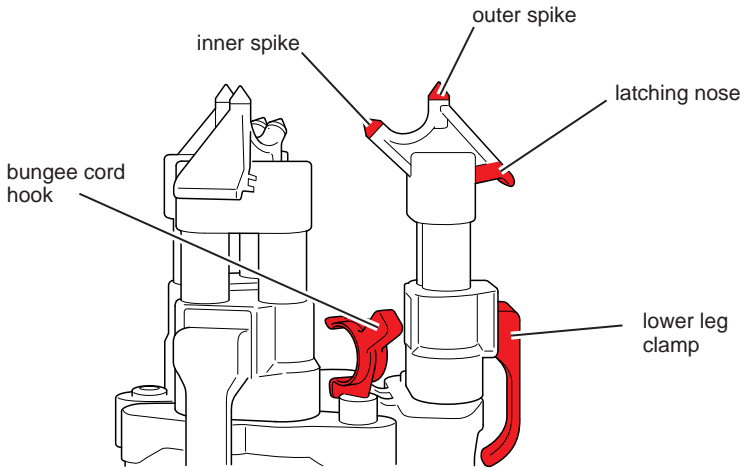


Figure 4 Double-spike foot and leg clamp

Introduction

The OConnor 30L/60L tripod is a lightweight, two-stage carbon fiber tripod with quick-release leg clamps for easy setup. The optional mid-level spreader features a twist grip with a profile allowing the tripod to be set to four predefined footprints. The spreader can be adjusted to suit other footprints as required by the shooting environment. The optional ground spreader features rubber pull-up loop attachments and extendible arms that can be locked to suit the footprint of the tripod.

The heavy-duty OConnor tripod provides an extremely stable platform.

The 30L/60L tripod is available separately or as part of a package (30L, part no. C1251-0011, and 60L, part no. C1255-0011). The package comprises a mid-level spreader with a profile and a set of three rubber feet. In this case the tripod is delivered fully assembled.

Operation

Setting up the tripod

NOTE:

1. **The following procedure refers to a two-stage tripod fitted with a mid-level spreader (if necessary, refer to 'Attaching the mid-level spreader (optional)' on page 12).**
 2. **ALWAYS use the spreader as this increases the rigidity of the tripod.**
 3. **At the fullest extension of the spreader and with all legs fully retracted, the tripod can be used at its lowest operating height. Although the tripod can be set up lower than this without the spreader, it is NOT recommended as the tripod geometry becomes unstable.**
-

For use on hard ground or delicate surfaces, set up the tripod with the rubber feet (see '**Fitting the rubber feet**' on page 13 for instructions). For use on soft ground or surfaces set up the tripod on its spikes (see Figure 4). For use on flat surfaces, set up the tripod with the ground spreader (see '**Attaching the ground spreader (optional)**' on page 14 for instructions)

To set up the tripod, proceed as follows:

Lift the tripod out of the box or other carrier.

30L only – The 30L tripod is fitted with a bayonet-lock handle. Lift the tripod by pulling out the handle, which snaps into place. Collapse the handle by pulling it sideways, then downward (see Figure 2).

Detach the bungee cord hook to release the legs (see Figure 4).

Holding the tripod upright, open out the legs. Set the footprint of the tripod to suit the shooting environment. Adjust the operating height by flipping down the leg clamp levers on the lower stage and pulling the tripod up to the desired height. When complete, push up the lower stage clamp levers, until they snap into the 'locked' position.

Extend the upper stage by lifting the clamp levers and adjusting the height of the tripod as required. When complete, push down the clamp levers, until they snap into the 'locked' position.



CAUTION

It is possible to set the tripod legs, so that the Center of Gravity of the tilted payload lies outside the footprint of the tripod, leading to instability. Use the spreader to ensure the tripod legs are spread sufficiently, so that the Center of Gravity of the tilted payload remains *within* the footprint of the tripod. Use the tie-down hook on the tripod for additional stability.

Pull up the twist grip in the center of the spreader to adjust the profile and arrest the tripod legs in position (see Figure 1). If required, unlock the spreader locks to allow the spreader arms to extend as necessary. Tighten the spreader locks.

Attaching the mid-level spreader (optional)

A mid-level spreader with a twist grip and profile is included in the package or available separately (part no. C1252-0001).

To attach the spreader, proceed as follows:

Hold each spreader arm between thumb and forefinger, then using the other hand squeeze the attachment release buttons with a pincer movement (Figure 5).

Push the spreader hook onto the locking bolts and release the buttons to lock the spreader arm in place.

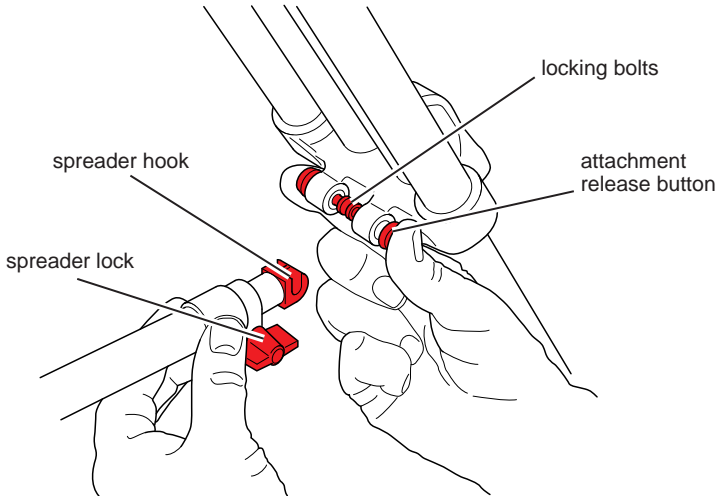


Figure 5 Attaching the spreader

Should it become necessary to remove the spreader, proceed as follows:

Holding on to the spreader arm, push in the attachment release buttons and remove the spreader hook from the locking bolts.

Fitting the rubber feet

A set of three rubber feet is included in the package or available separately (part no. 7004).

To fit the rubber feet, proceed as follows (Figure 6):

Place the rubber foot between the spikes. Check the markings on the foot for orientation; the markings should be turned towards the center of the tripod.

Push down firmly on the leg, put your fingers through the larger loop, and pull the rubber pull-loop over the latching nose.

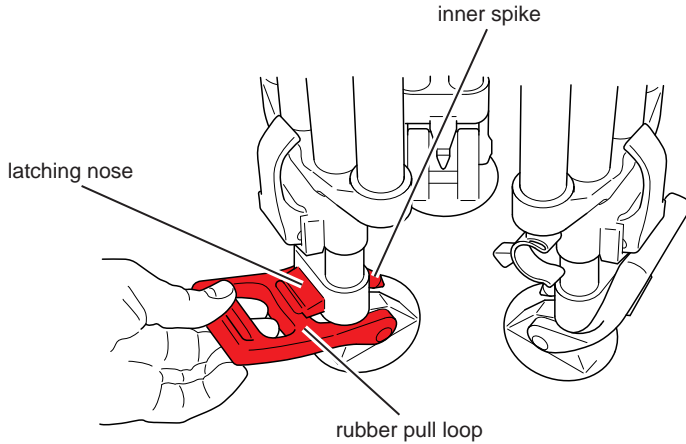


Figure 6 Fitting the rubber feet

Attaching the ground spreader (optional)

To attach the ground spreader (see Figure 7) proceed as follows:

Place the ground spreader on the floor and open out the legs. Place the spikes of the tripod between the foot moulding on the ground spreader.

Push down firmly on the leg, put your fingers through the larger loop, and pull the rubber pull-loop over the latching nose.

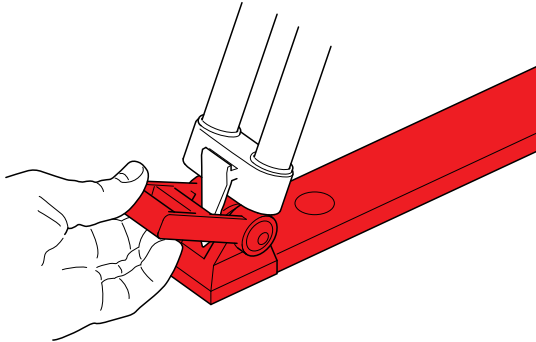


Figure 7 Attaching the ground spreader

Setting up the ground spreader

To set up the ground spreader (see Figure 8) proceed as follows:

Unlock the spreader locks to allow the spreader arms to extend. Adjust the tripod footprint as required. Tighten the spreader locks.

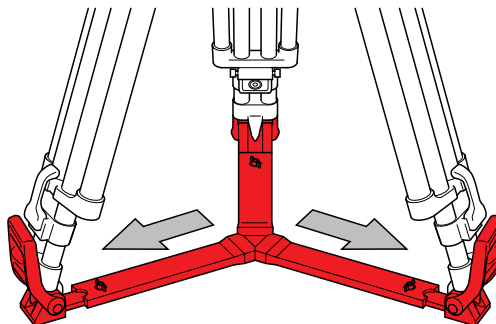


Figure 8 Setting up the ground spreader

Servicing

General

The OConnor 30L/60L tripod is robustly made to high engineering standards and little attention is required to maintain serviceability except for regular cleaning. Repairs and any adjustments beyond those described in this manual should be carried out by qualified persons only. Contact OConnor headquarters, your local OConnor office or representative.

Cleaning

During normal use the only cleaning required is a periodic wipe-down with a lint-free cloth. Any dirt that accumulates during storage or periods of non-use may be removed with a vacuum cleaner. Particular attention should be paid to the bowl base of the tripod.

CAUTION! Do NOT use solvent-based or oil-based cleaners, abrasives or wire brushes to remove accumulations of dirt as these will damage the protective surfaces. Use mild, detergent-based cleaners only.

However, use out-of-doors under adverse conditions will require special attention. Salt spray should be washed off with fresh water at the earliest opportunity. Sand and dirt acts as an abrasive and should be removed using a semi-stiff brush or vacuum cleaner.

Routine checks

During normal use, check the following regularly:

- Check the effectiveness of the leg clamps (refer to '**Checking the effectiveness of the leg clamps**' below) and adjust if necessary (refer to '**Adjusting the leg clamps**' on page 16).
- Check the effectiveness of the locking bolts. The bolts should move freely and retract fully and the spreader hook should be easily removable.
- Check the effectiveness of the spreader locks. The spreader arms must be able to extend and retract smoothly. Check the spreader lock allows sufficient tightening.

No further routine maintenance is required.

Checking the effectiveness of the leg clamps

To check the effectiveness of each leg clamp, proceed as follows:

Extend all three tripod legs fully and apply the clamp levers.

Position each leg in turn vertically on a set of weighing scales.

Gradually add a load to the leg, until either or both clamps begin to slip. Note the reading on the scales at which this occurs.

A reading of less than 88 lbs (40 kg) will necessitate adjustment (refer to **Adjusting the leg clamps** below for instructions).

Adjusting the leg clamps

Should the leg clamps become ineffective, they may require adjustment (refer to 'Checking the effectiveness of the leg clamps' on page 15).

CAUTION! Do NOT over-adjust the clamp lever mechanism to support more than 132 lbs (60 kg) as this will cause damage to the tripod.

To adjust the leg clamp mechanism (Figure 9), proceed as follows:

Set the clamp lever to the 'unlocked' or horizontal position.

Using a 13 mm socket, tighten the nut incrementally by approximately 15 degrees.

Test the effectiveness of the clamp and repeat the process, until 88 lbs (40 kg) is achieved. Check that the clamp lever can be applied easily.

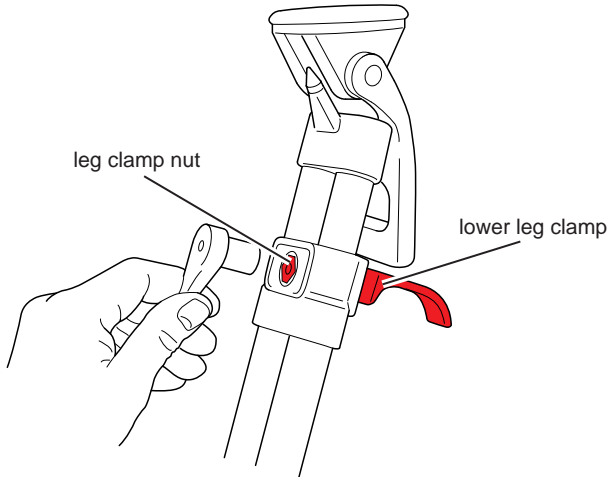


Figure 9 Adjusting the leg clamp

oconnor

 OConnor™
A Vitec Group brand



<http://www.ocon.com>

